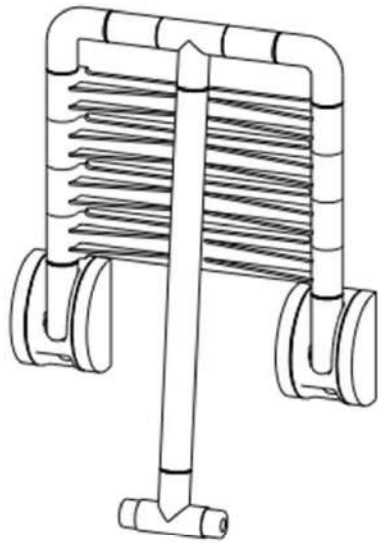





一、Accessories



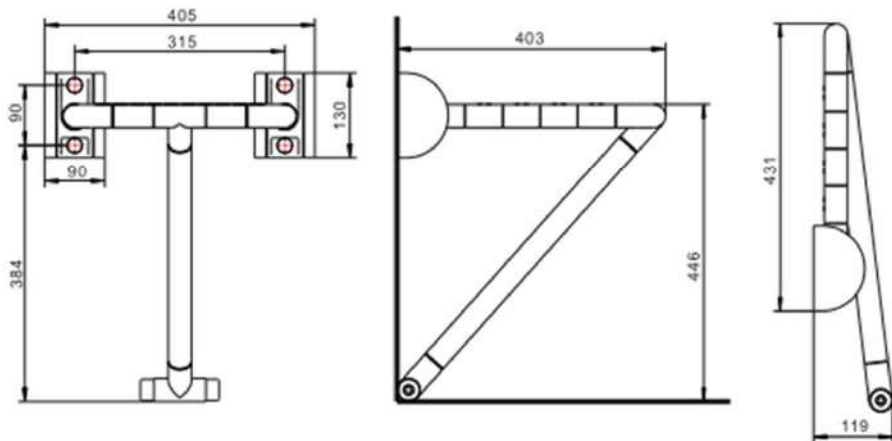
  upper caps x 2

  lower caps x 2

 6mm Allen Key x 1

  M8 X 70 mm expansion bolt x 4

二、size instruction



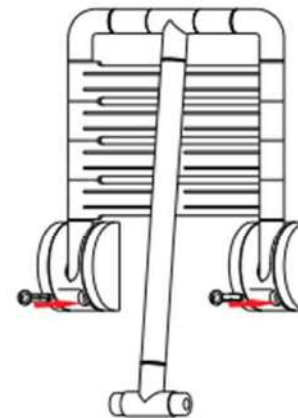
三、installation instruction



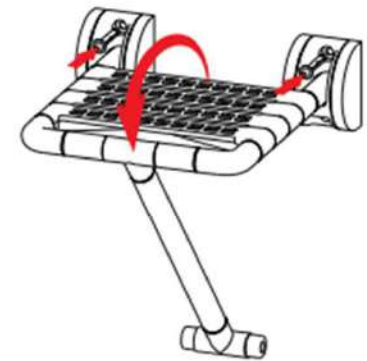
Step 1. Mark the correct positions.



Step 2. Drill installation holes in the marks.



Step 3. Fix the expansion bolts into the drilled holes.



Step 4. Put on the caps to cover the screws.