

Installation Steps

- A pic shows, Index finger press the key and push it toward your way the bottle based on the arrow.
- B pic shows, pull out the pump fixed plate based on the arrow, way the bottle based on the arrow.
- C pic shows, take away the support board based on the arrow.
- D pic shows, use the bottom cover as model, marl on the wall, convenient to install.
- E pic shows, use the hole dicking machine dick the hole in the right places, insert the Rubber plug accompany with the machine, screw to fix the bottom cover on the wall.
- F pic shows, put the 4 pcs 1.5V battery into product, the product so can use AC. But when you use AC you need to take out battery.

- Step 7-G pic shows, if you need to change the soap water into foam water, you can ①put 30% soap water into bottle. ②than put into 70% clean water. ③at last, cover the lip and mix the liquid.
- Step 8-H pic shows, if you use the foam soap water, you can direct put the foam soap water into the bottle.
- Step 9-I pic shows, take away the key lock, insert the key and Clockwise 90degrees, then you can lock the dispenser.
- Step 10-J pic shows, Products can use disposable bag.
- Step 11- The liquid dose not flow in the pump for first time using, please try many times.

Notes and Maintenance

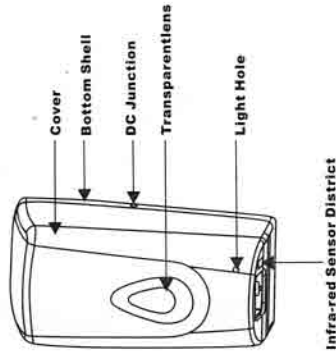
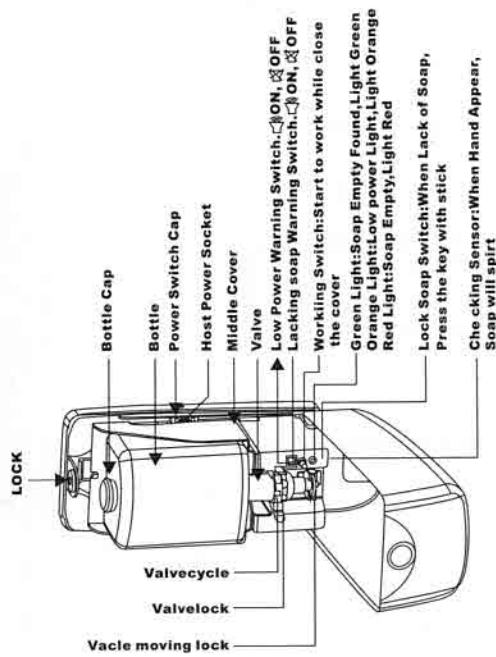
- 1: Please add the soap if the volume is lower than 1 cm.
- 2: The valid distance for the machine is about 10cm.
- 3: Please replace the battery if there is continuing B B sound when there is no obstacles near 14cm.
- 4: Avoid anything stuck in the pump, clean the liquid without any impurity.
- 5: Please use it frequently, the liquid may solidify if long time no use.
- 6: clean the product

- A: the keep the bottle empty if not using, clean it with cloth and take out the battery
- B: don't clean the dispenser in the water, it will damage the PCB
- C: Cleaning the cover of the product by using the wet and dry cloth, clean the battery box only using dry cloth.
- D: Don't clean the product by using Corrosive chemical, in case the cover is damaged.
- 7: if it is leaking, please replace another pump.

Suggestion

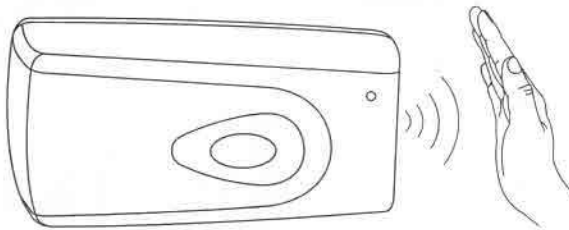
The hand washing liquid Concentration is different according to different areas, which cause the liquid can't pressed out, if this case, we strongly use the pure water to test it until the water come out. Then pull out the remaining water, it is normal to find the water inside the dispenser.

export department



USER MANUAL

Please read user manual carefully before using



Automatic Foam Soap Dispenser

The product adopts the international high-end intelligent digital electronic control induced technology, has the work safety and stabilization, resistance to light interference ability strong, induction sensitive, etc. Infrared sensing automatic foam can avoid contact with the hand, preventing cross-infection.

◆ Product features

- 1: The machine can be locked, protect the battery and soap from human damage.
- 2: Smart Sensor testing technology, touchless auto foam soap dispenser.
- 3: Two double transparent LED working lights, if the liquid is not reach the MOQ, or something under the sensor in the valid distance, the green light will turn on, if low battery, the red light turn on.
- 4: Low Voltage Beep tone warning function.
- 5: liquid switch Beep tone warning function, the green light works.
- 6: Soap beep tone warning and red light Led warning function
- 7: Two DIP Switch and beep tone warning sound, if set OFF, the warning function is closed, if set ON, the function open.
- 8: Slightly touch style switch, press the switch when you refill the soap.
- 9: Bubble hand washing save 50% volume, and 30% water.

◆ Specifications

Size	L135XW126XH280mm
Volume	1000ml
Volume/press	0.4ml
Sensor Distance	5-8cm
Weight	904g
Material	ABS
Power	4 pcs 2 size Alkaline batter or AC adapter

◆ Using method

- 1: The product is suitable for home usage, when installing the dispenser,

please make sure the distance under the dispenser is at least 40cm.
2: Choose a suitable place for installation, make sure it is not in a moisture environment.

3: Don't put the dispenser on the opposite side of a mirror or under the water.

4: Don't put it under strong light, it will damage the Infrared sensor.

5: Can't use the High concentrations of liquid chemicals.

6: Please use the right concentrations of liquid, otherwise, it can cause no liquid come out or little.
7: The dispenser use 4 pcs 1.5V battery (suggest the Alkaline battery), the product has low power warning, when you find the LED light keep flashing, that means the battery is almost use up, please change the new battery.

8: No obstacles around 14cm area under the sensor.

9: The machine is sensor, just put your hand under the pump no more than 10 cm distance.

10: If the machine is not working

A: put your hands near the detector

B: Re-check your battery.

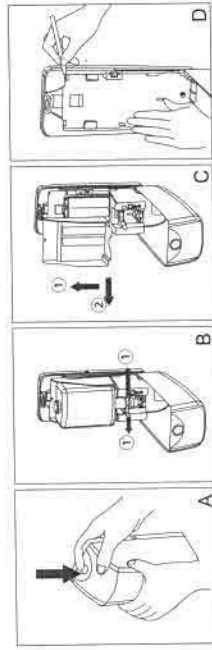
C: The Switch is on or not, D Check the underside of the dispenser, if there are lots of light and inverted image, please put the dispenser to a higher place.

11: If the dispenser is not working

A: put your hand under the sensor if lots of light and shadow, please install the dispenser to a higher place.

B: Recheck your battery

◆ Installing operational pictures



Please read user manual carefully before using.