



Silent Minibar User Manual Model No: 08084, 08085, 08087

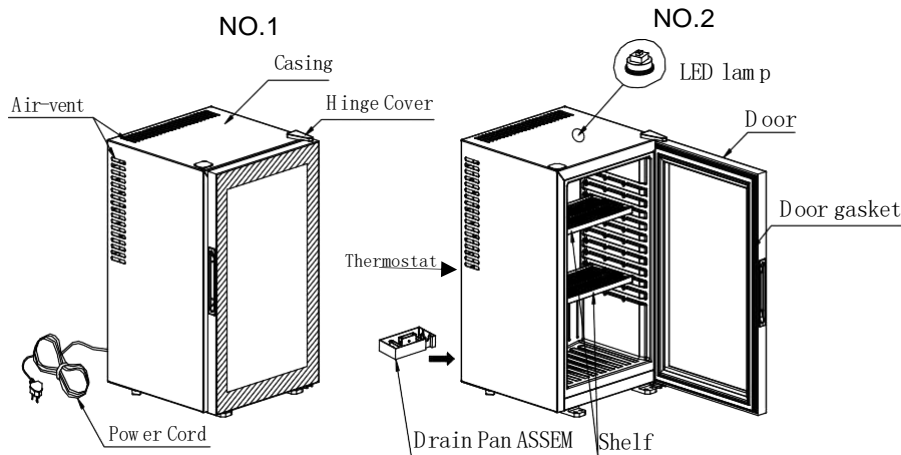
◆ Caution and Attention

- ◇ Please read the user manual carefully before using.
- ◇ Power cord is easily damaged by cutting, extending or by heat.
- ◇ Fire and creepage will occur if using a damaged power cord.
- ◇ If Power cord is damaged, Please refer to a qualified electrician.
- ◇ Please don't lengthen power cord or use with other appliances.
- ◇ Avoiding creepage, please only touch plug / power switch with dry hands.
- ◇ Please use a standard and qualified electrical outlet.
- ◇ Please don't maintain, repair / disassemble by yourself.
- ◇ Please unplug electrical plug if suspicious of a hazard.
- ◇ Please unplug electrical plug if not using for 30 days.
- ◇ Please don't store/eat opened food, fruit and beverage left for more than 3 days.
- ◇ Because insulation material is flammable, please keep it away from naked flames.

◆ How to use

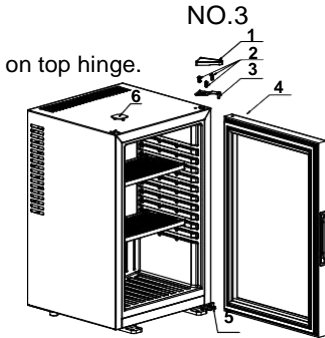
- ◇ Please place on a horizontal surface and ensure good ventilation, according to diagram No.4.
- ◇ Please connect with an electrical outlet and check the LED lamp is on.
- ◇ Close door and remain ON for 2 hours, before putting any food, fruit or beverage into it.
- ◇ Our setting inside temperature is around 12°C based on 25°C ambient temperature.
- ◇ Before cleaning, please unplug first.
- ◇ Please use a soft cotton cloth for cleaning purposes.
- ◇ To relocate, Please remove all contents before moving.

◆ Structure



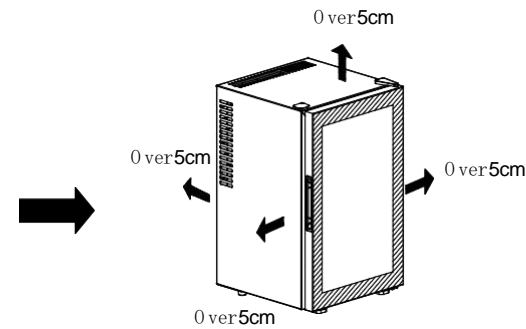
◆ How to change door

1. Take out hinge cover.
2. Take out top hinge after loosening 3 screw on top hinge.
3. Take out door.
4. Take out bottom hinge.
5. Take out screw cap.
6. Install bottom hinge to another side.
7. Install door and install top hinge.
8. Install screw cover to another side.
9. Install hinge cover.



1.Hinge Cover 2.M5X12 Screw 3.Top Hinge
4.Door 5.Bottom hinge 6.Screw cap

◆ Ventilation requirement No.4



NO.4

◆ Specification

	Silent Minibar Ecoline 40
Model No	08084, 08085, 08087
Dimension	W400mm*D425mm*H560mm
Volume	40L
Net Weight	15.5kg
Rated V/Hz	220-240V~ 50/60Hz
Rated W	63W
Rated A	0.6A

◆ Trouble shooting

Doesn't Work	If power is on ?
	If connect with electrical outlet?
	If lamp is on?
	If ambient temperature is too high?
Inside Temperature is not enough	If door gasket is ok?
	If ventilation accords to our requirement (No.4 Picture)?
	If ambient temperature is too high?